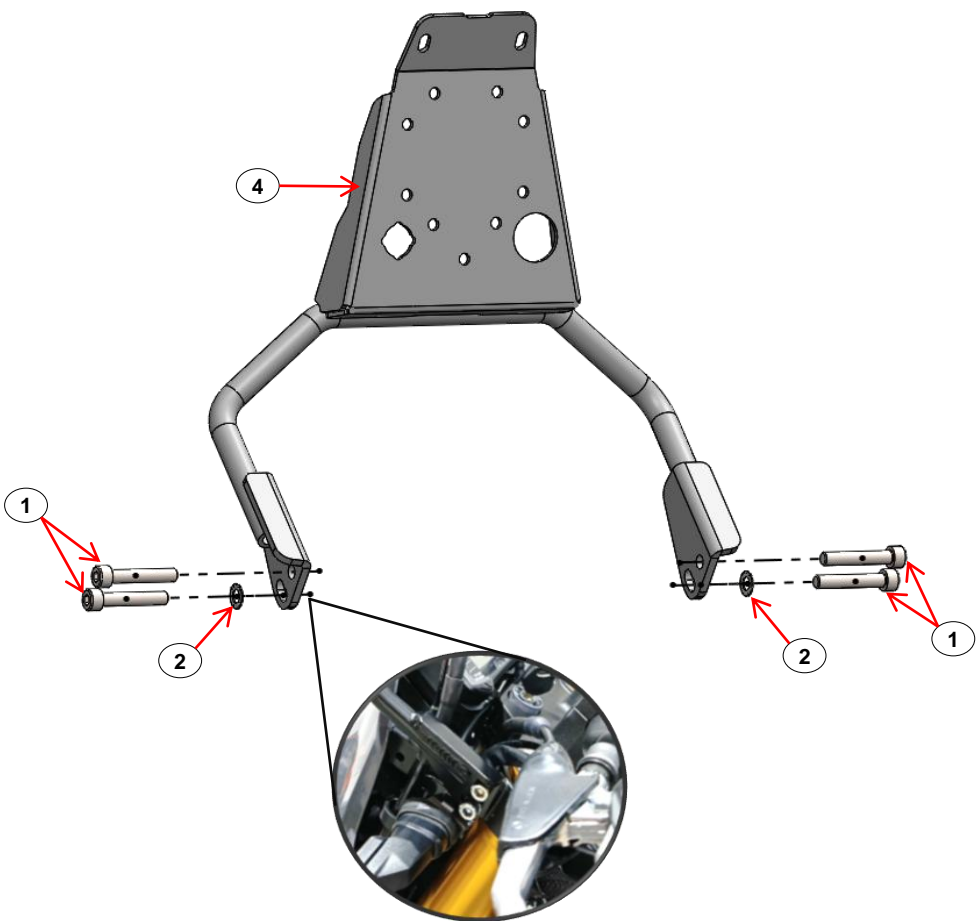


GPS SUPPORT
Ref.: 2AD2130128



ASSEMBLY SEQUENCE



4	Suporte GPS / GPS Support	128	1
3	Fivela Poliamida / Polyamide Buckle	7,6x200mm	1
2	Anilha Recarquilhada / Serrated Lock Washer	M8 DIN6798 8.8	2
1	Parafuso / Screw	M8x45 DIN912 8.8	4
ITEM N°:	COMPONENTE (COMPONENT):	DESCRIÇÃO (DESCRIPTION):	QUANT.:
ACESSÓRIOS (ACCESSORIES)			